

Features

- 7-7/16" (189 mm) diverter spout.
- 11 gpm (41.6 l/min) maximum flow rate at 45 psi (3.1 bar).
- Remote-valve handle allows for ease of access.
- Single lever handle allows for simultaneous on/off activation and temperature setting.
- High-temperature limit setting for added safety.
- MasterClean™ sprayface features an easy-to-clean surface that withstands mineral buildup.
- KOHLER ceramic disc valves exceed industry longevity standards for a lifetime of durable performance.

Material

- Premium metal construction for durability and reliability.
- KOHLER finishes resist corrosion and tarnishing.

Installation

- Coordinates with Pitch® bath and shower trim.
- Deck- or bath-mount.

Recommended Products/Accessories

K-23723 Faucet cleaner

Included Components

Additional Components:

60" metal hose
Handshower



Codes/Standards




ASME A112.18.1/CSA B125.1
DOE - Energy Policy Act 1992
EPA WaterSense®
California Energy Commission (CEC)

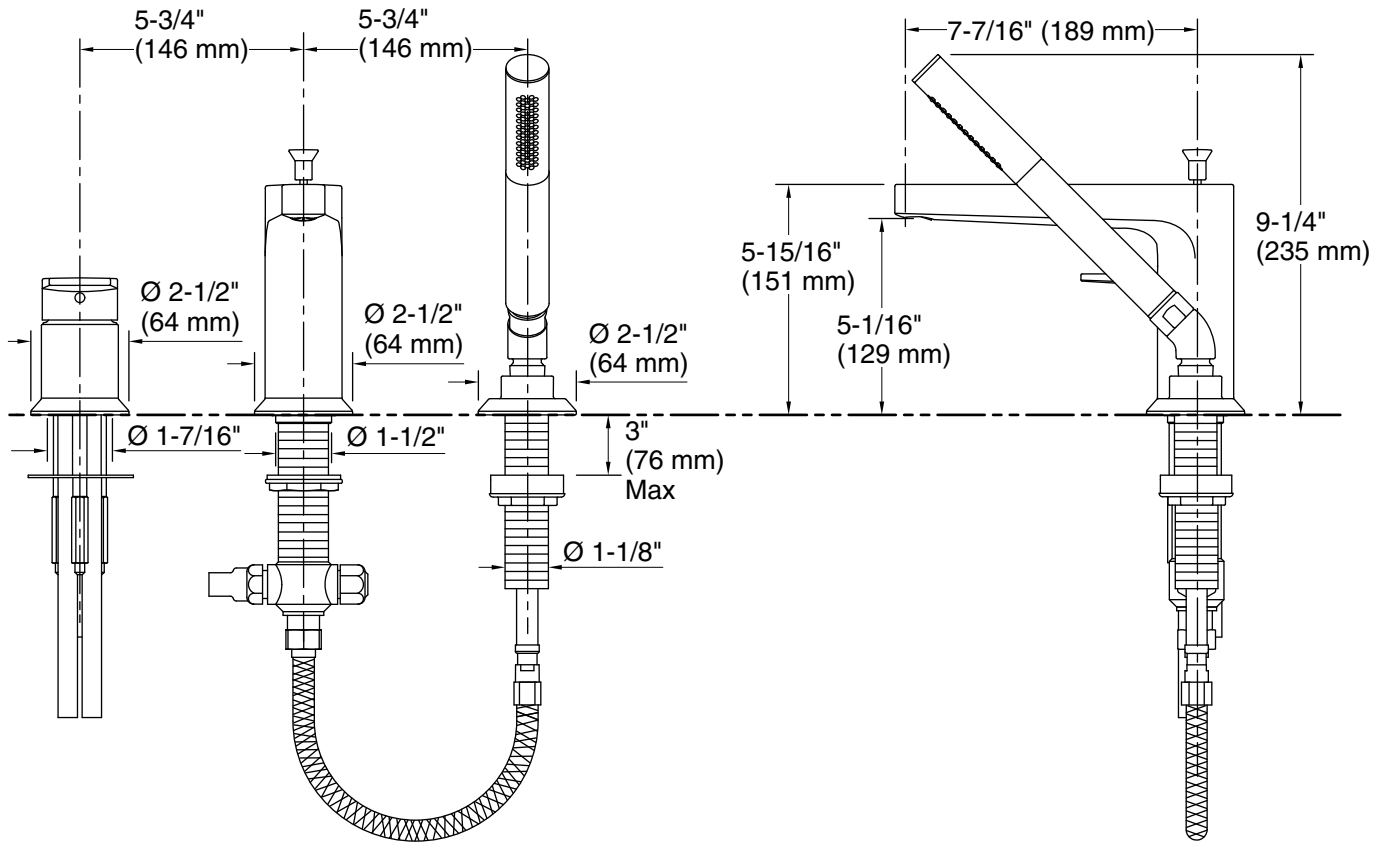
KOHLER® Faucet Lifetime Limited Warranty

See website for detailed warranty information.

Available Colors/Finishes

Color tiles intended for reference only.

| Color | Code | Description |
|---|------|--------------------------------|
|  | CP | Polished Chrome |
|  | BN | Vibrant® Brushed Nickel |
|  | BL | Matte Black |
|  | 2MB | Vibrant® Brushed Moderne Brass |



Technical Information

All product dimensions are nominal.

Faucet:

Flow rate: 11 gal/min (41.6 l/min)

Pressure: 45 psi (3.1 bar)

Valve body: Machined-brass

Drain included: No

Spout:

Spout reach: 7-7/16" (189 mm)

Handshower:

Rated maximum flow: 1.75 gal/min (6.6 l/min)

Pressure: 45 psi (3.1 bar)

Notes

Install this product according to the installation instructions.

WARNING: Risk of personal injury. Do not install the bath faucet in an area where it may inadvertently be used for support by the bather.